

Base body in polyester resin reinforced with fibre glass in light grey colour with seal gasket in polyuretanic resin. Diffuser in transparent self extinguishing acrylic material injection printed with inner prismatizing. Hooks made of plastic or on request stainless steel. Reflector in steel sheet oven painted with epoxy polyester powders, with advance phosphatazing, in white colour, used for the connections support fixed to the body through to keys in selfextinguishing material and equipped with: security nylon ropes (loosing the two keys the reflector will be unhooked remaining hanged to the body), one cable-gland PG13,5 complete with nut and seal and two hanging rings.

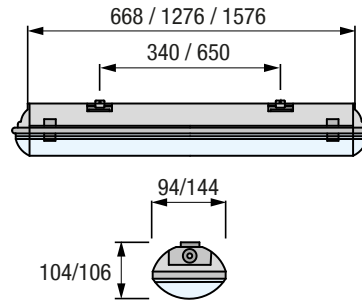
**Protection degree:** IP65.

CODE	MAGNETIC BALLAST		
	POWER (W)	CONNECTION	LAMP
04.01.07.01.00000100	1 x 18	G13	FLU
04.01.07.01.00000101	2 x 18	G13	FLU
04.01.07.01.00000102	1 x 36	G13	FLU
04.01.07.01.00000103	2 x 36	G13	FLU
04.01.07.01.00000104	1 x 58	G13	FLU
04.01.07.01.00000105	2 x 58	G13	FLU

CODE	ELECTRONIC BALLAST		
	POWER (W)	CONNECTION	LAMP
04.01.07.01.00000106	1 x 18	G13	FLU
04.01.07.01.00000107	2 x 18	G13	FLU
04.01.07.01.00000108	1 x 36	G13	FLU
04.01.07.01.00000109	2 x 36	G13	FLU
04.01.07.01.00000110	1 x 58	G13	FLU
04.01.07.01.00000111	2 x 58	G13	FLU

CODE	MAGNETIC BALLAST + EMERGENCY KIT 1H		
	POWER (W)	CONNECTION	LAMP
04.01.07.01.00000112	1 x 36	G13	FLU
04.01.07.01.00000113	2 x 36	G13	FLU
04.01.07.01.00000114	1 x 58	G13	FLU
04.01.07.01.00000115	2 x 58	G13	FLU

CODE	MAGNETIC BALLAST + EMERGENCY KIT 3H		
	POWER (W)	CONNECTION	LAMP
04.01.07.01.00000117	1 x 36	G13	FLU
04.01.07.01.00000118	2 x 36	G13	FLU
04.01.07.01.00000119	1 x 58	G13	FLU
04.01.07.01.00000120	2 x 58	G13	FLU



Base made of polycarbonate with colour grey RAL 7035. Diffuser made of polycarbonate.  
Removable grey tray white colour. Stainless steel clips. Cable gland PG13,5 Resistant to impact up to IK07. Suitable with electronic ballast and emergency versions.

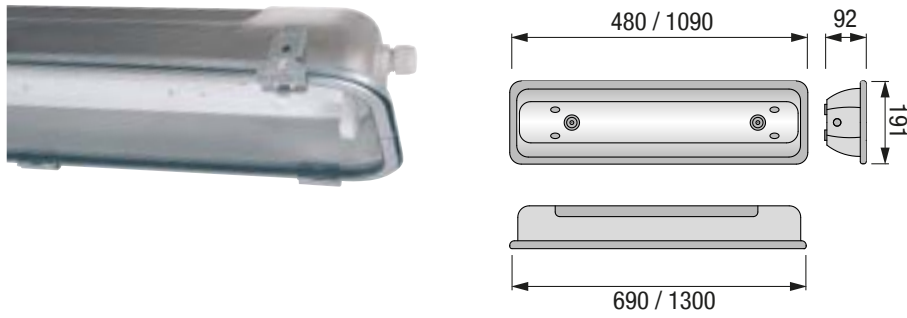
**Protection degree:** IP65.

CODE	MAGNETIC BALLAST		
	POWER (W)	CONNECTION	LAMP
04.01.01.01.00000200	1 x 18	G13	FLU
04.01.01.01.00000201	1 x 36	G13	FLU
04.01.01.01.00000202	1 x 58	G13	FLU
04.01.01.01.00000203	2 x 36	G13	FLU
04.01.01.01.00000204	2 x 58	G13	FLU

CODE	ELECTRONIC BALLAST		
	POWER (W)	CONNECTION	LAMP
04.01.01.01.00000205	1 x 18	G13	FLU
04.01.01.01.00000206	1 x 36	G13	FLU
04.01.01.01.00000207	1 x 58	G13	FLU
04.01.01.01.00000208	2 x 36	G13	FLU
04.01.01.01.00000209	2 x 58	G13	FLU

CODE	MAGNETIC BALLAST + EMERGENCY KIT 1H		
	POWER (W)	CONNECTION	LAMP
04.01.01.01.00000210	1 x 36	G13	FLU
04.01.01.01.00000211	1 x 58	G13	FLU
04.01.01.01.00000212	2 x 36	G13	FLU
04.01.01.01.00000213	2 x 58	G13	FLU

CODE	MAGNETIC BALLAST + EMERGENCY KIT 3H		
	POWER (W)	CONNECTION	LAMP
04.01.01.01.00000310	1 x 36	G13	FLU
04.01.01.01.00000311	1 x 58	G13	FLU
04.01.01.01.00000312	2 x 36	G13	FLU
04.01.01.01.00000313	2 x 58	G13	FLU



Stainless steel AISI 304 fixture.

Temperate glass diffuser with mechanical protection IK-10. White painted galvanised steel reflector. Versions with electromagnetic power supply with p.f. correction capacitor.

Emergency versions with permanent wiring, Ni-Cd battery, inverter, 1H autonomy, 24h recharge with possibility of inhibition.

Lamp-holder G13. Cable gland PG13,5 polyamide.

Accessories for pendant installation, on pole, on wall or ceiling.

**Protection degree:** IP65.

CODE	MAGNETIC BALLAST		
	POWER (W)	CONNECTION	LAMP
04.01.06.11.00000800	1 x 18	G13	FLU
04.01.06.11.00000801	2 x 18	G13	FLU
04.01.06.11.00000802	1 x 36	G13	FLU
04.01.06.11.00000803	2 x 36	G13	FLU

CODE	ELECTRONIC BALLAST		
	POWER (W)	CONNECTION	LAMP
04.01.06.11.00000804	1 x 18	G13	FLU
04.01.06.11.00000805	2 x 18	G13	FLU
04.01.06.11.00000806	1 x 36	G13	FLU
04.01.06.11.00000807	2 x 36	G13	FLU

CODE	MAGNETIC BALLAST + EMERGENCY KIT		
	POWER (W)	CONNECTION	LAMP
04.01.06.11.00000808	1 x 36	G13	FLU
04.01.06.11.00000809	2 x 36	G13	FLU